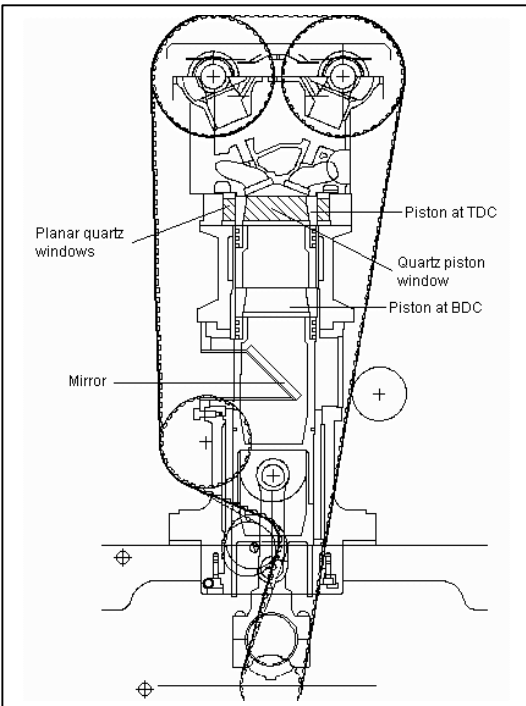
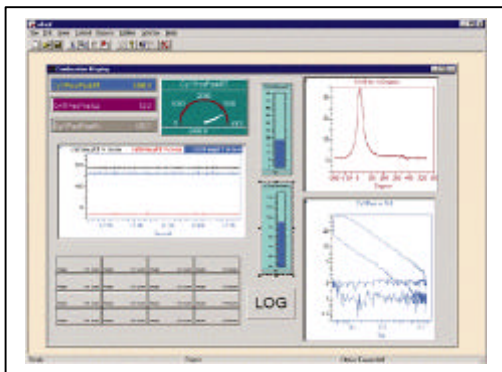


TEST CONTROL

A one day course

This course is targeted at Engineers and Senior Engine test and development Technicians. To add value when planning new facilities and when undertaking advanced engine development projects, to acquire an understanding of the test control equipment used in advanced testing in the 21st century, at a time of rapid change and development.



- ?? **Engine Dynamometer Types**
 - Hydraulic
 - Eddy current
 - Alternating current
- ?? **Automation within the test cell**
 - Advantages/Disadvantages
 - Automatic data logging
 - Automatic test actuation
- ?? **Dynamometer test controller**
 - Principle of operation
 - Throttle control
 - Load control
 - Temperature control
 - PID principle of operation
- ?? **Measuring equipment part 1**
 - Fuel consumption measurement
 - ~~○ Gravimetric systems~~
 - ~~○ Coriolis~~
 - ~~○ 'Bucket and Stop Watch!]~~
 - ~~○ Temperature conditioning~~
- ?? **Measuring equipment part 2**
 - Blow-by
 - Oil consumption
- ?? **Measuring equipment part 3**
 - Cylinder pressure measurement
 - Hardware
- ?? **Measuring equipment part 4**
 - Temperature
 - Pressure
 - Air flow
 - Smoke