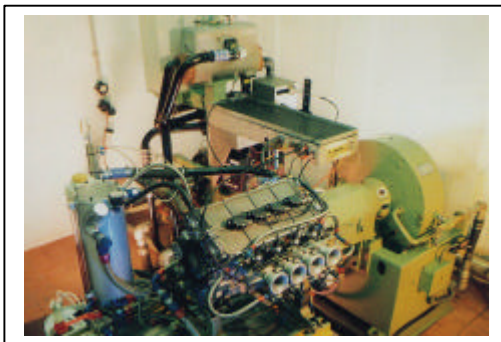
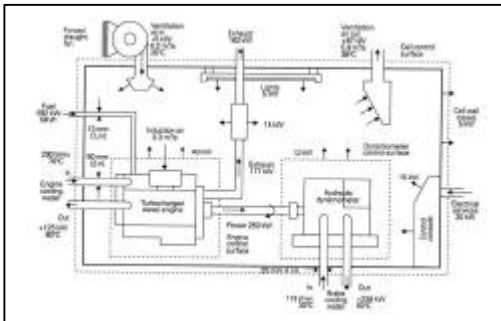


## INTRODUCTION to ENGINE TESTING

This course is aimed at Engineers and Technicians. To add value when performing development and validation testing; and to acquire an understanding of the operating principles of gasoline fuel injection systems.;



### A three day course

#### Course Contents:

- ?? **The Test Environment**
- ?? **Energy balance within the cell**
  - Heat exchangers
  - Water Supply
  - Air services
- ?? **Dynamometers**
  - Hydraulic
  - Constant fill
  - Variable fill
  - Eddy current
  - AC~DC
- ?? **Operating Quadrants**
  - Performance curves (absorption)
- ?? **Test cell design**
- ?? **Test Equipment & Instrumentation**
- ?? **Installation in the cell**
- ?? **Test Types**
- ?? **Engine technology and Base System**
- ?? **Testing overview**
- ?? **TPM**
- ?? **Fitting inside the cell**
- ?? **Base formulae used in ICE test work**
- ?? **Introduction to Combustion analysis and Emissions**